

# Clarke®



## XX-LARGE GARAGE/WORKSHOP

MODEL NO: CIG1640

PART NO: 3503596

## ASSEMBLY INSTRUCTIONS

ORIGINAL INSTRUCTIONS

GC0422 - Rev 1

---

## INTRODUCTION

---

Thank you for purchasing this CLARKE XX Large Garage/Workshop.

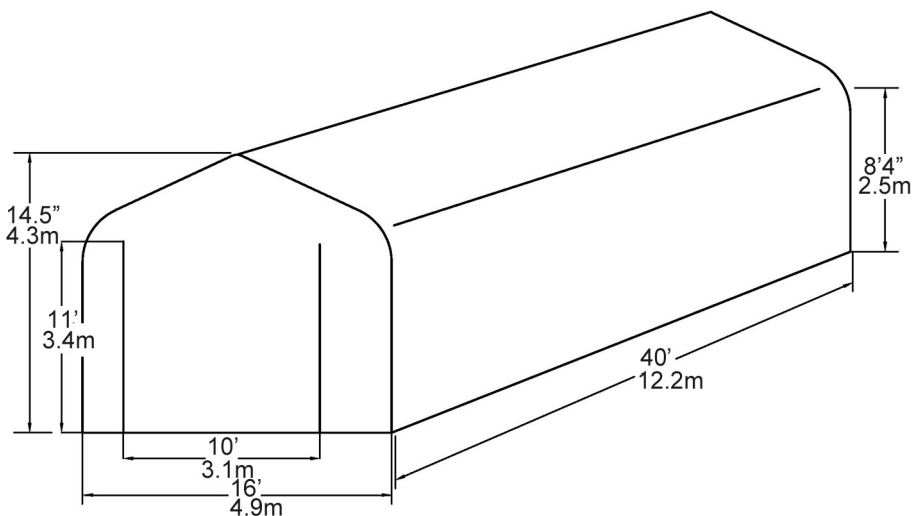
Before attempting to use this product, please read this manual thoroughly and follow the instructions carefully. In doing so you will ensure the safety of yourself and that of others around you, and you can look forward to your purchase giving you long and satisfactory service.

---

## SPECIFICATIONS

---

Cover	305g Polyethylene, UV protected
Assembled dimensions	40 ft long x 16 ft wide x 14.5 ft high (12 m x 4.9 m x 4.3 m)
Frame	Round steel tubing, powder coated
Securing hardware	Easy hook anchors
Weight	423 kgs



---

## GENERAL SAFETY WARNINGS

---



**WARNING: READ THESE SAFETY INSTRUCTIONS TO REDUCE THE RISK OF INJURY. RETAIN THESE INSTRUCTIONS FOR FUTURE REFERENCE.**

---

**DO NOT** use this product in environments for which it is not intended (i.e. extreme cold, high winds, extreme heat, heavy rainfall or heavy snow, etc).

**DO NOT** use open flames or cooking or heating devices inside or in close proximity to the garage including all types of stoves, gas heaters, gas lanterns, torches, fly killers, etc. The fabric will burn if left in continuous contact with a naked flame.

**DO NOT** store flammable liquids (petrol, kerosene, propane, etc.) in the garage or operate gas powered vehicles/equipment in or around the garage.

**ALWAYS** follow the following instructions for mounting the garage.

Due to the height of this garage, an aerial platform or cherry picker will be useful and safer than using ladders. Ensure that any such platforms or ladders are operated on level ground.

**We advise that 6 people may be required to safely erect the frame and install the cover owing to the size and weight.**

Select a calm day to install the cover due to the high windage of the cover both during fitting and before it is totally secured in position.

---

## POSITIONING AND INSTALLATION OF THE GARAGE

---

### SITING AND POSITIONING THE GARAGE

This garage is a temporary structure and is not recommended as a permanent building. It is designed to offer protection from sun, rain, light snow, tree sap and bird droppings etc. It is not designed to shelter equipment from excessively high winds or heavy snow.

Choose your garage location carefully. Check for overhead power lines, tree branches, etc. **DO NOT** install near roofs or other structures that may shed snow, ice or excessive run-off onto your garage.

Erect your garage on level ground over a firm, level area. Allow enough space near each corner for the tie-down straps supplied to be used as intended. If the ground area is of tarmac or concrete, the use of ground anchor holding-down bolts will be required to anchor the garage to the floor.

Choose a dry location where dampness rising from ground water in the environment will not undermine the protection offered by the garage.

A masonry floor such as block paving or concrete is ideal, but if this is not being supplied, a timber or shuttering plywood floor, protected underneath by a suitable groundsheet should be used. This will help to create a dry storage environment by insulating the garage storage space from ground moisture.

**Proper anchoring and keeping the cover tight and free of snow and debris is the responsibility of the user. Damage caused by improper anchoring is not covered under warranty.**

---

## CARE OF THE GARAGE STRUCTURE

---

This garage is **NOT** designed to support heavy snow. Snow or ice accumulation may cause your garage to collapse. To avoid overload, brush snow and ice off the roof top with a broom or mop to prevent collapse with the resultant damage to property or personal injury.

**NEVER** clear the roof of snow or debris from inside the garage.

**DO NOT** use hard-edged tools or instruments, such as rakes or shovels to remove snow. These can cause punctures to the cover.

**DO NOT** use bleach, alkaline or harsh detergents for cleaning. Doing so will damage the material. Soap and warm water are recommended.

In order to reduce risk of burning and avoid damage, **DO NOT**- cook, smoke, refuel or use any open flame devices in or around the garage.

---

## USING THE STORAGE SPACE

---

**NEVER** run the engine of any vehicle or machine inside a closed garage. Ensure that there is adequate ventilation for engines or for any work with paints, cleaners etc. by opening the door panel and keeping it raised.

Take steps to avoid the buildup of condensation inside the garage. Cool, damp winter days and moisture from the breath and body heat of personnel may cause condensation on the inside of the top cover of the garage.

A supply of fresh air through the doorway will at least partly remove this issue.

For long term storage of moisture sensitive belongings, the use of a dehumidifier may be required, such as those in the CLARKE range. A suitable extension lead to a locally available power supply will be required. Condensation will be much less of an issue during the summer months.

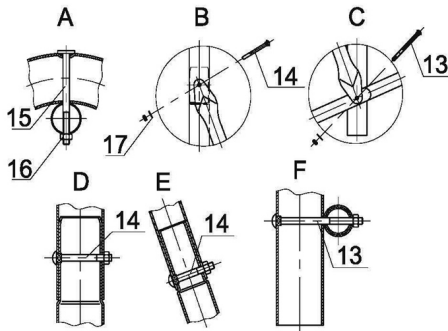
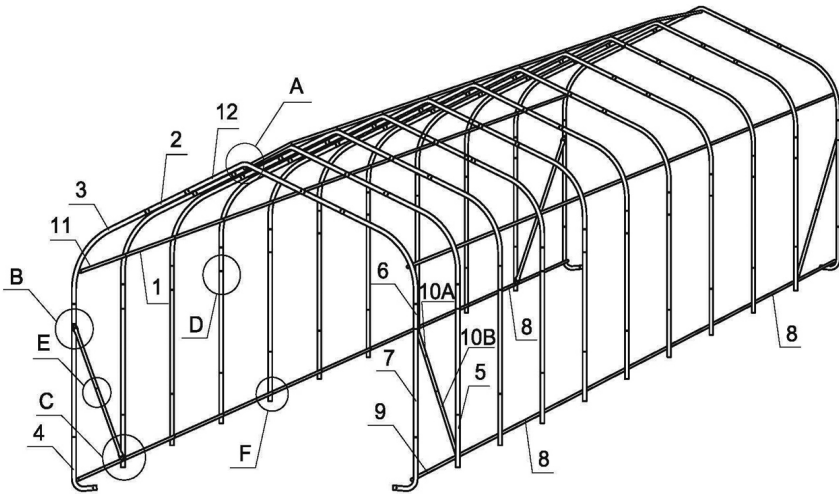
If storing a vehicle in your garage over the winter months we recommend the use of a secondary lightweight cover over your vehicle.

# COMPONENT PARTS INVENTORY

Part	Description	Q'ty
1	Top Rail with Tapered End	27
2	Roof Extension	22
3	Roof Bend	22
4	Corner Foot	4
5	Foot	18
6*	Upper Leg	22
7	Lower Leg	22
8	Bottom Rail with Tapered End	18
9	End Bottom Rail	2
10a	Upper Support Brace	4
10b	Lower Support Brace(Tapered)	4
11	End Top Rail	3
12	Top Crest	11
13	Bolt (4-1 /2")	44
14	Bolt (3")	114
15	Coach Bolt	11
16	Nut	169
17	Washer	8
18	Anchor with Steel Cable	12
19	Rope	2
20	Turnbuckle	4
21	Cover (door)	1
22	Cover (Back)	1
23	Cover (main)	1
24	Ball Tie Down	12
25	Cable Clamp	12
26	Pipe	1
27	Reducing Pipe	1
28	Protective Strip	1

**\*Note: Parts 6 and 9 are distinguished from one another with an underline indicating the bottom of the number.**

# ASSEMBLY LAYOUT



21  
(Hidden  
from view)



Have an overview of all parts before attempting construction and make sure all components are supplied.

Note: Some parts are listed but are not available individually as replacement parts.

---

## ASSEMBLY

---



**WARNING: DO NOT PLACE THE GARAGE UNDER TREES FROM WHICH HARD FRUIT SUCH AS APPLES, WALNUTS OR HEAVY PINE CONES, ETC., MAY FALL. KEEP CHILDREN AWAY DURING ASSEMBLY. DO NOT ATTEMPT TO ASSEMBLE THE PRODUCT IF ANY PARTS ARE MISSING.**

**WARNING: DO NOT LEAVE THE GARAGE UNATTENDED DURING ASSEMBLY IN CASE PERSONAL INJURY OR DAMAGE MAY OCCUR**

---

1. Place all parts in a clear area and arrange them on the ground. Check for completeness and for any transport damage.
2. Remove all packaging materials and place them back in the box. Do not dispose of the packaging materials until assembly is complete.

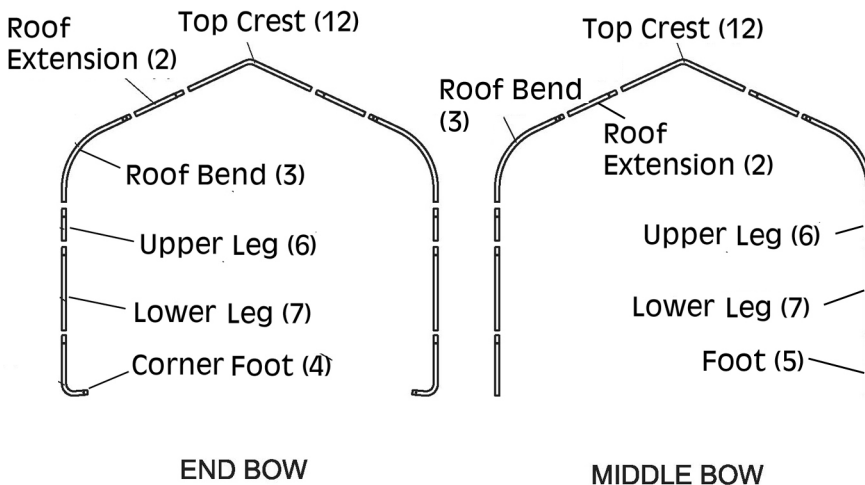
## PREPARATION

1. Select the location for the garage.
2. Make sure that at least six people are available to assemble this product.
3. The foundation should be a concrete slab, concrete footings, pressure treated timbers or railway sleepers. The foundation area must extend at least 6 inches larger than the size of the garage.
4. If possible, pick a location for the garage that has a natural or man-made wind break (eg barn, house hedge or hill etc). Level the pad area and clear of any debris.
5. Bring the following tools (not supplied) to the assembly site:
  - Screwdrivers
  - Adjustable wrench or socket set
  - Ladder(s)/cherry picker lift or platform

## ASSEMBLING THE FRAME

Assemble the End Bows and the Middle Bows as shown in Figure 1. Parts are attached using a 3" bolt (14) and nut (16) at each junction - see End and Middle Bows below.

**NOTE:** The two End Bows are the only ones with Corner Feet (4).



**Note:** The nuts need to be on the inside of the frame. This helps Prevent damage to the cover.

**Figure 1**

### END BOWS

Starting with two Corner Feet (4) (left side and right side) for each end, work your way up bolting connections together. Connect the Lower and Upper Legs (7,6), Roof Bend (3) and Roof Extension (2). Complete the End Bows (qty. 2) by connecting the left and right sides with Top Crest (12). See Figure 1.

### MIDDLE BOWS

The middle bows have the same procedure as above, except the lowest pieces are the feet (5). See Figure 1.

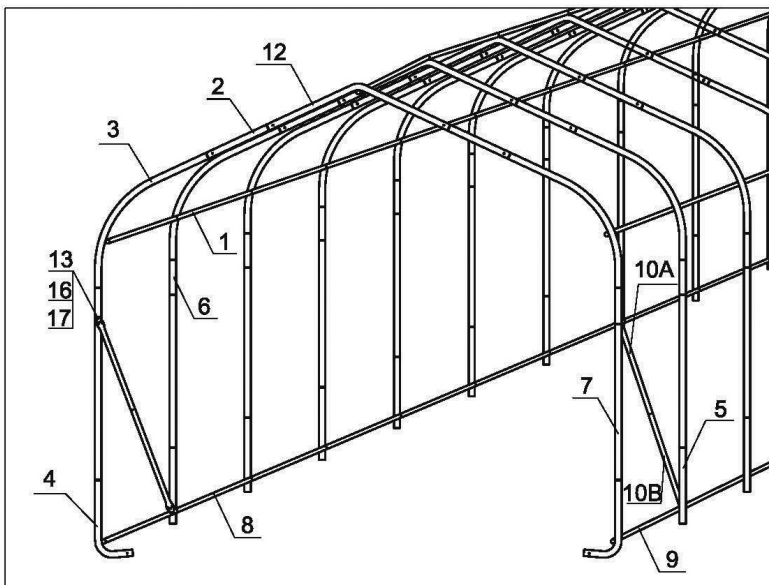
### CONNECTING THE FRONT END BOW TO THE MIDDLE BOW

1. At what will be the front of the garage, attach (10a+b) to the End Bow (center). Use bolts (13), washers (17), and nuts (16). Repeat on the opposite side. Do not completely tighten at this time because minor frame

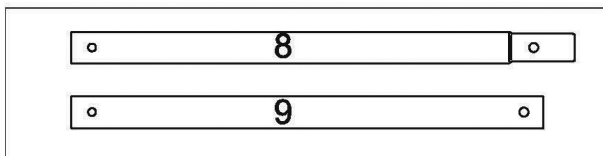


adjustments will be done later. Insert the tapered end of each (10b) into the end of each (10a), secure with nut (16) and bolt (14).

- At the base of that same End Bow, attach (8) to the base of (4). Swing the end of (10a+b) over to the connection of (5) and the end of (8). The tapered end of each (8) fits into the next (8). Use bolts (13), washers (17), and nuts (16) for this end of (10a+b) also. Do not completely tighten at this time because minor frame adjustments will be done later. Repeat these steps on the opposite end of the End Bow. Continue assembling (8) between all of Middle Bows until the final Middle Bow, using hardware listed below. See Figures 2 & 3.
- Bolt all connections with bolts (14) and nuts (16) unless otherwise indicated. All nuts need to be on the inside of the frame.



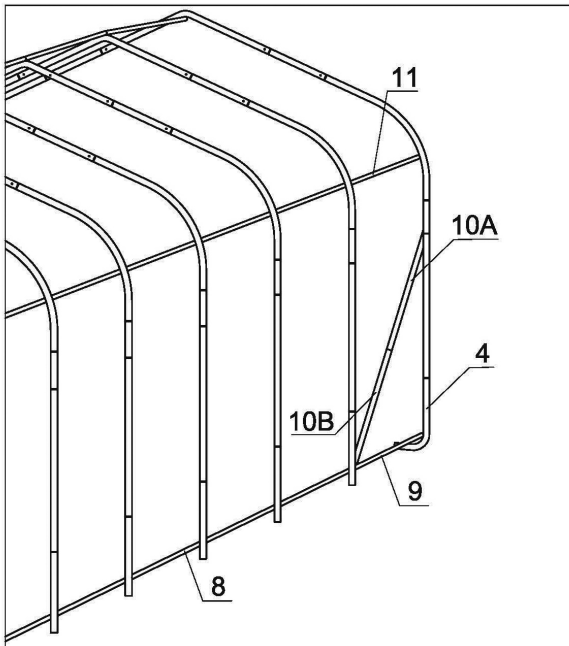
**Figure 2**



**Figure 3**

## THE REAR END BOW

1. At the base of the rear End Bow, fit the End Bottom Rail (9) to the Corner Foot (4). Attach Support Braces (10a+b) to the center of the last End Bow. Use bolts (13), washer (17), and nuts (16). Repeat on the other side of the End Bow. Do not completely tighten at this time because minor frame adjustments will be done later.
2. At the base of the first Bow in from the end, attach End Bottom Rail (9) to the base of Foot (5). Swing the end of the Support Braces (10a+b) over to the connection of Foot (5) and the end of the Bottom Rail (8). The tapered end of Bottom Rail (8) fits into End Bottom Rail (9). Use bolts (13), washers (17), and nuts (16). Do not completely tighten at this time because minor frame adjustments will be done later. Repeat these steps on the opposite end of the End Bow. Continue assembling (8) between all of Middle Bows until the final Middle Bow using the nuts and bolts (14) and (16). See Figure 4.



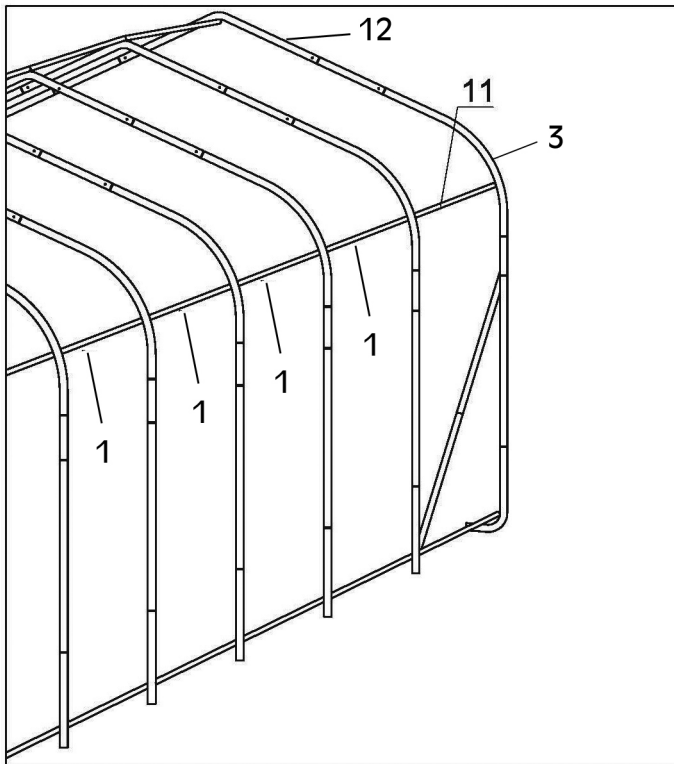
**Figure 4**

## TOP RAILS

1. Start at one side of the rear End Bow along the curvature of the Roof Bend (3). The End Top Rail (11) attaches to Roof Bend (3) on the inside of this

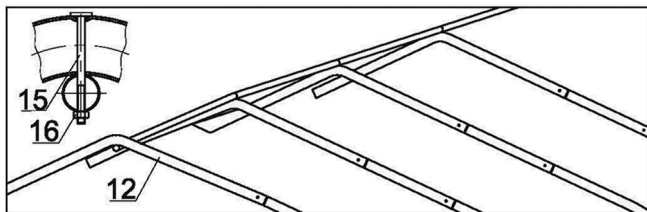
curve. Insert Top Rail (1) inside End Top Rail (11) and attach to the Middle Bow. Continue attaching the Top Rails (1) to the Middle Bows and each other until you reach the end. Repeat these steps on the other side. Do not tighten bolts at this time. The bolts at the end will need to be removed when installing the cover fabric (door) and cover fabric (back). See Figure 5.

2. When this portion of the frame is assembled and free standing, move the assembled frame to your desired location using several people.



**Figure 5**

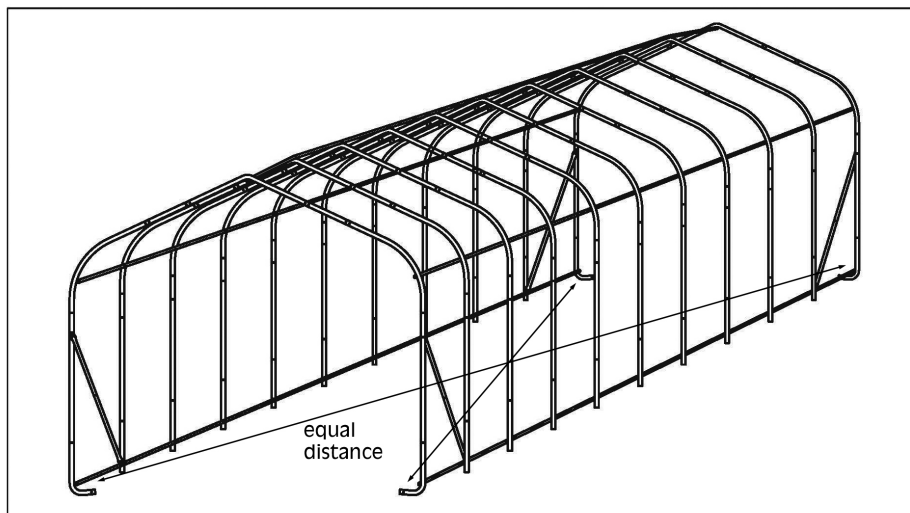
3. The Top Crests (12) are at the top of the assembled Bows. To anchor that portion of the roof to the Bows, attach the Top End Rail (11) underneath the Top Crest (12) on the End Bow using Coach Bolt (15) and nut (16). Fit the Top Rail (1) into the Top End Rail (11) and connect to the top of the Middle Bow with Coachbolt (15) and nut (16). Continue connecting to the top until the last Middle Bow.



**Figure 6**

### **SQUARING THE FRAME**

1. When the garage frame is assembled and in its final location, use the rope (19) to measure the distance between opposite corners, see Figure 7. Mark the rope and check the distance of the other two corners; the distance should be the same. If not, adjust the frame until it is.



**Figure 7**

## ANCHORING INSTRUCTIONS

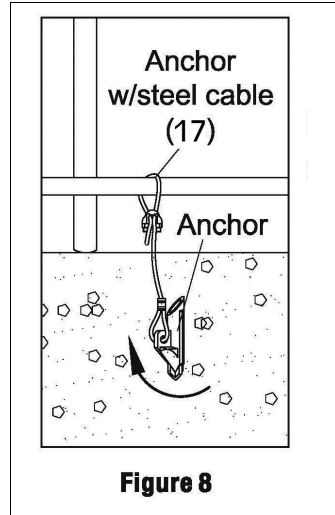
**IMPORTANT:** Due to its size, the garage needs to be anchored down very securely and the frame needs to be tight and secure.

1. From the inside of the garage, place the anchors with Steel Cable (18) on all four corners. Place the remainder of the anchors on the inside of the Bows at intervals. See Figure 8.

**NOTE:** Additional anchors may be required in windy areas.

2. If you are installing on asphalt, drill a deep 1" diameter hole to accept the anchor through the asphalt.
3. If installing in dirt, drive the anchor into the soil using a hammer and the drive rod provided. The more you hammer, the more the anchor goes into the soil, compacting the soil around it. Remove the drive rod once you have established the maximum depth of the anchor.
4. Pull upwards on the cable, rotating the anchor into a locked position. The anchor cuts into the undisturbed soil.
5. After placing all the anchors, wrap the Wire Cable from each Anchor, around the Bottom Rails and securely attach it to itself using clamps (25) (not shown). See Figure 8

**NOTE:** If you are in any doubt as to the security of anchoring of your garage you should add more anchors.



**Figure 8**

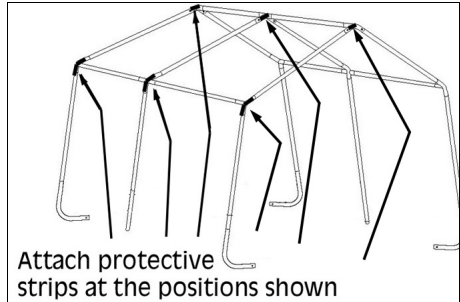


**WARNING: ADEQUATE ANCHORING IS ESSENTIAL. IF YOU HAVE ANY DOUBT AS TO THE SECURITY OF THE GARAGE ADD MORE ANCHORS.**

## PROTECTIVE STRIPS

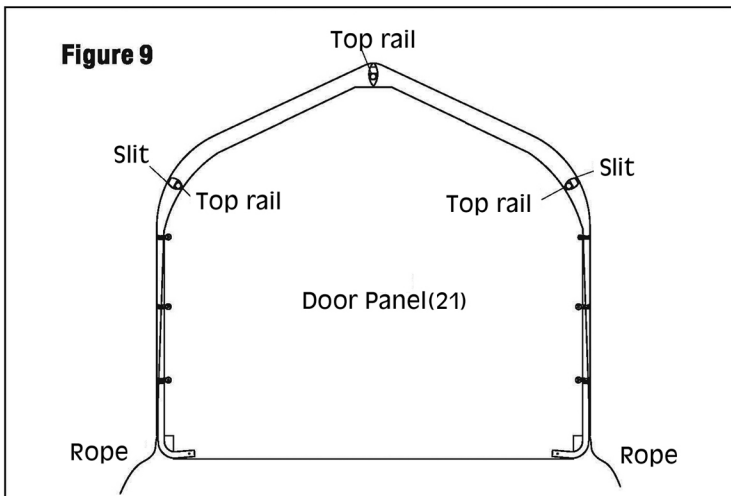
In order to protect the fabric cover at points of wear, some adhesive tape is provided. This should be adhered to the frame at the positions shown after peeling off the adhesive backing strip.

1. Cut the backing strip into suitable lengths of approximately 9" (25cm) and attach at the positions shown on every shoulder and on every apex joint.



## DOOR PANEL FITTING

1. Before installing the cover (23), install the Door Panel (21) and Back Panel (22).
  - (The Door Panel (21) has two zippers in it).
2. At the doorway of the frame, remove the bolts (14) and nuts (16) from the three Top Rails (1), top and sides.



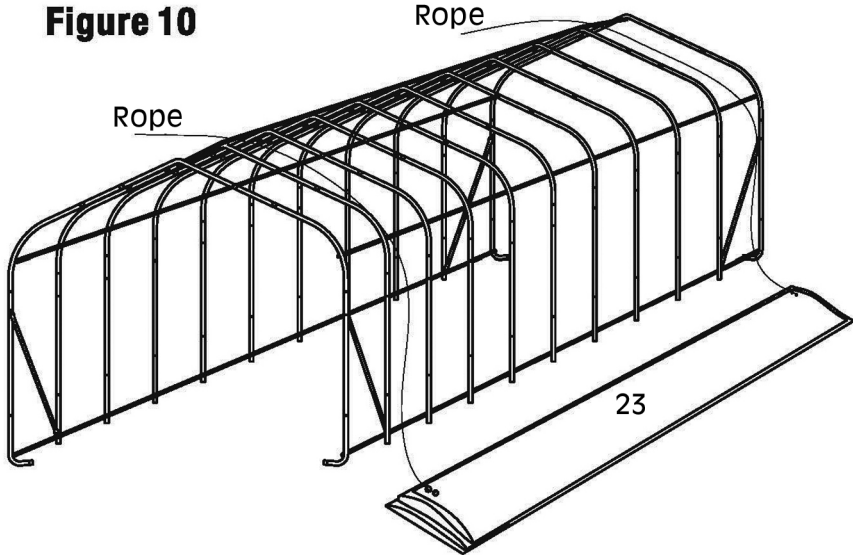
3. Place the door panel (21) over the arch of the front End Bow and wrap the material around the arch while bringing the slits to the inside of the frame. Place the Top Rail at the Top Crest (12) into the slit. See Figure 9.

4. Once the Top Rails (1) are into the slits on the sides and top, put the bolts (14) and nuts (16) back into all the locations that they were removed from and tighten them down.
5. Notice the white rope hanging out of the bottom of the Door Panel (21) on both sides. With two people, wrap the rope under the Corner Feet (4). Both of you are to pull up at the same time to tighten the door. When the door is snug, tie off the rope to the corner feet (4).
6. Attach the side of the Door Panel (21) to the frame by using the 6 x Ball Tie-downs (24).
7. A Pipe (26) and Reducing Pipe (27) can be placed in the pocket at the bottom of the door. This will keep the door straight and it may roll up easier. Caution must be exercised as using the pipe will make the door heavier.
8. At the back of the frame, remove the Bolts (14) and Nuts (16) from the three End Top Rails (11), top and sides.
9. Place the Back Panel (22) over the arch of the back End Bow and wrap the material around the arch while bringing the slits to the inside of the frame. Place the End Top Rail (11) at the Top Crest (12) into the slit. See Figure 9.
10. Once the End Top Rails (11) are into the slits on the sides and top, put the bolts (14) and nuts (16) back into all the places that they were removed and tighten them down. See Figure 9.
11. Notice the white rope hanging out of the bottom of the Cover Back Panel (22) on both sides. With two people, wrap the rope under the Corner Feet (4). Both of you are to pull up at the same time to tighten the door. When Back Panel is snug, tie of the rope to the corner feet (4).
12. Attach the side of the Cover Back Panel (22) to the frame by using the 6 x Ball Tie Downs (24).

## **COVER INSTALLATION**

1. Position the Main Cover (23) face side up, being aware of length and height of the frame in reference to the size of the cover. Fold in half lengthwise and position the folded cover as close to the frame as possible. Attach long ropes (the long white rope can be cut in half and used) in holes on each end of the cover. These ropes will be used to guide and pull the cover (23) over the top of the frame. See Figure 10.

**Figure 10**



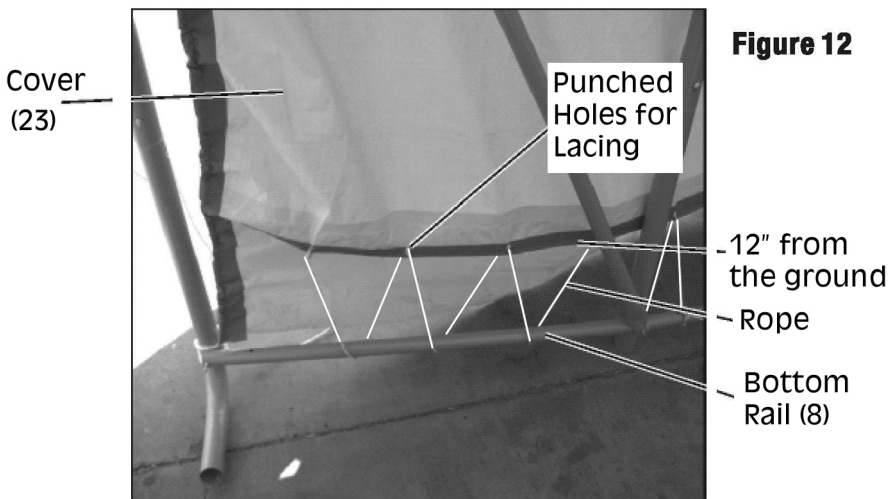
2. Use at least six people to help position the Cover (23) over the frame. It is suggested to have a person on a ladder at each end of the frame to assist with lifting. For safety, have someone to support the ladder so it will not topple over. Use two to four other people to pull the ropes and drag the Cover (23) into position. See Figure 10.
3. Centre the cover (23) over the frame. The internal rope should be in the front and rear (outside). The punched holes should be positioned on the inside of the garage. Centre the cover on all four sides. See Figure 11.



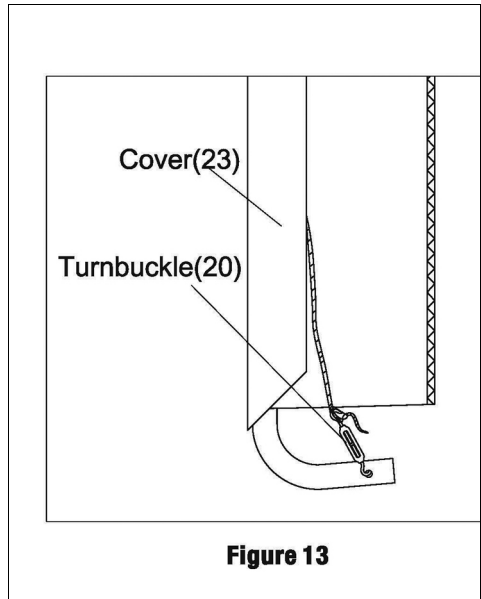


**Figure 11**

4. Loosen the four turnbuckles (20). Tie the ropes loosely to the turnbuckles (20). Check to be sure the cover is still centered and has the same amount of overlap on the front and the back. See Figure 13.
5. The area where the rope comes out of the cover (23) should be about 12" from the ground. See Figure 12.



6. Pull the rope tighter, using a few knots to secure to the turnbuckle (20). Twist the turnbuckle (20) to tighten the rope.
7. Check monthly & tighten if needed. See Figure 13.
8. When the cover (23) is aligned, fasten it to the frame using the rope (19).
9. Start by lacing the end of the rope through the first punched hole in the cover. Pass the rope under the Bottom Rails (8), and continue down the garage, creating a laced effect.
10. When laced to the end that will be the End Bottom Rail (9) tie off at the end. Work your way back tightening the lacing by pulling the rope down, creating a snug fit.
11. When you get to the other end, tie off and trim off any extra rope.



**Figure 13**

---

## MAINTENANCE

---

1. The cover can be cleaned with soap and water.
2. Check and tighten the turnbuckles and all hardware as needed if the garage is in regular long term use. You may need to remove and re-set the turnbuckles to allow for more strap material becoming wound around the spindle.
3. Check that all ground anchoring is secure and shows no sign of movement.



**WARNING: IF POSITIONING THE GARAGE IN A WINDY LOCATION ALWAYS ENSURE THE FRONT DOOR IS KEPT FULLY CLOSED TO PREVENT WIND LIFTING IT FROM INSIDE.**

---

4. To dismantle, execute all instructions in reverse order.
5. Store your garage in a cool, dry location between seasons to prolong the usable life of all components. Components are not equally durable and may require replacement over time at differing intervals.



**WARNING: SERIOUS INJURY TO PERSONS OR PROPERTY COULD RESULT IF THE GARAGE IS NOT SECURELY ANCHORED.**

---

---

## GUARANTEE

---

This product is guaranteed against faulty manufacture for a period of 12 months from the date of purchase. Please keep your receipt which will be required as proof of purchase.

This guarantee is invalid if the product is found to have been abused or tampered with in any way, or not used for the purpose for which it was intended.

Faulty goods should be returned to their place of purchase, no product can be returned to us without prior permission.

This guarantee does not effect your statutory rights.

# A SELECTION FROM THE VAST RANGE OF

# Clarke®

## QUALITY PRODUCTS



### AIR COMPRESSORS

From DIY to industrial, Plus air tools, spray guns and accessories.

### GENERATORS

Prime duty or emergency standby for business, home and leisure.

### POWER WASHERS

Hot and cold, electric and engine driven - we have what you need

### WELDERS

Mig, Arc, Tig and Spot. From DIY to auto/industrial.

### METALWORKING

Drills, grinders and saws for DIY and professional use.

### WOODWORKING

Saws, sanders, lathes, mortisers and dust extraction.

### HYDRAULICS

Cranes, body repair kits, transmission jacks for all types of workshop use.

### WATER PUMPS

Submersible, electric and engine driven for DIY, agriculture and industry.

### POWER TOOLS

Angle grinders, cordless drill sets, saws and sanders.

### STARTERS/CHARGERS

All sizes for car and commercial use.

## PARTS & SERVICE:

## 0208 988 7400

### Parts Enquiries

[Parts@clarkeinternational.com](mailto:Parts@clarkeinternational.com)

### Servicing & Technical Enquiries

[Service@clarkeinternational.com](mailto:Service@clarkeinternational.com)

SALES: UK 01992 565333 or Export 00 44 (0)1992 565335

**Clarke** INTERNATIONAL Hemnall Street, Epping, Essex CM16 4LG  
[www.clarkeinternational.com](http://www.clarkeinternational.com)